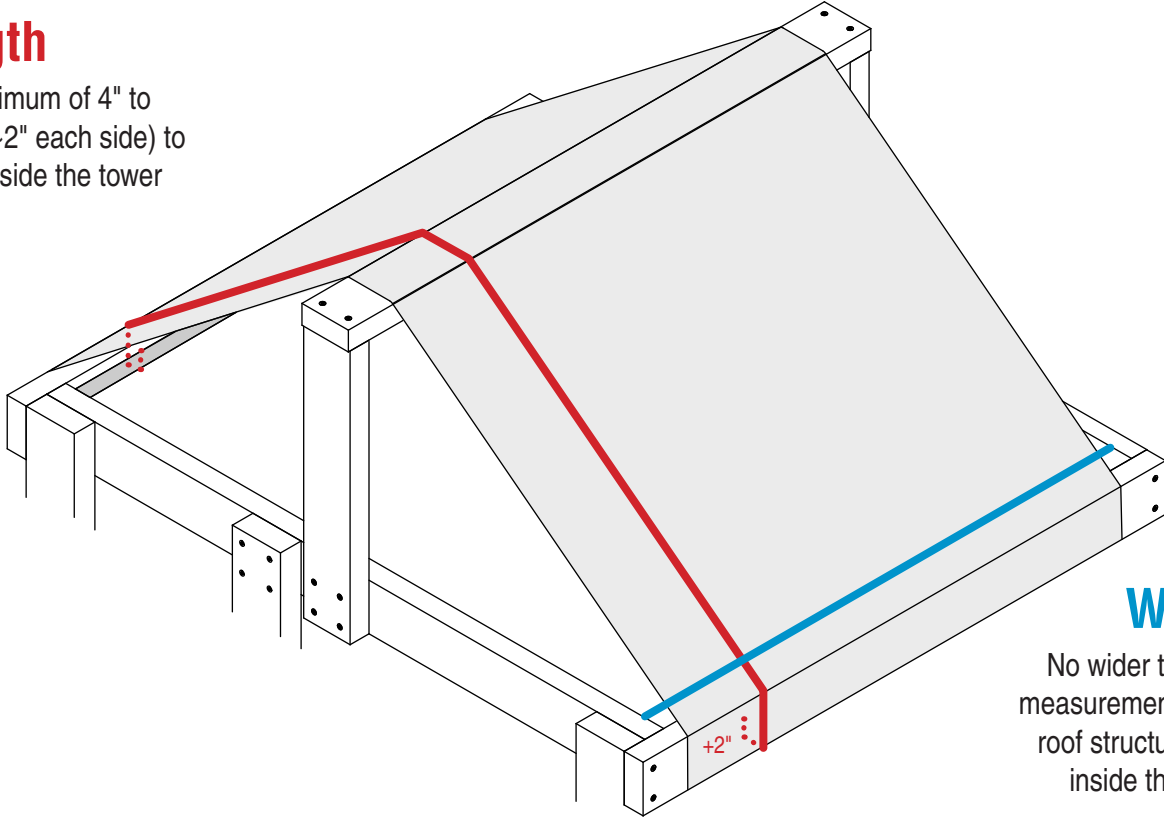


## Tarp Measurement (Wrapped)

### Length

Add minimum of 4" to length (~2" each side) to fasten inside the tower



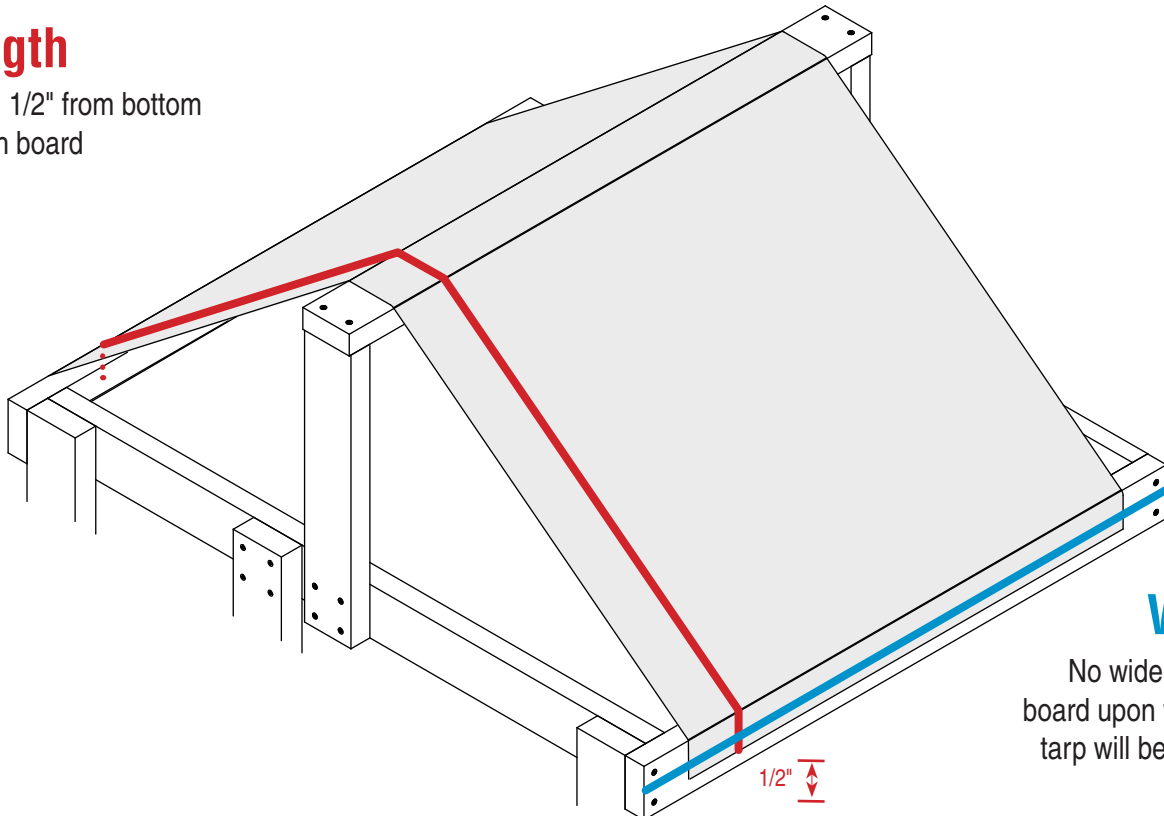
### Width

No wider than the measurement of the roof structure from inside the tower

## Tarp Measurement (NOT Wrapped)

### Length

Fasten 1/2" from bottom of each board



### Width

No wider than the board upon which the tarp will be fastened